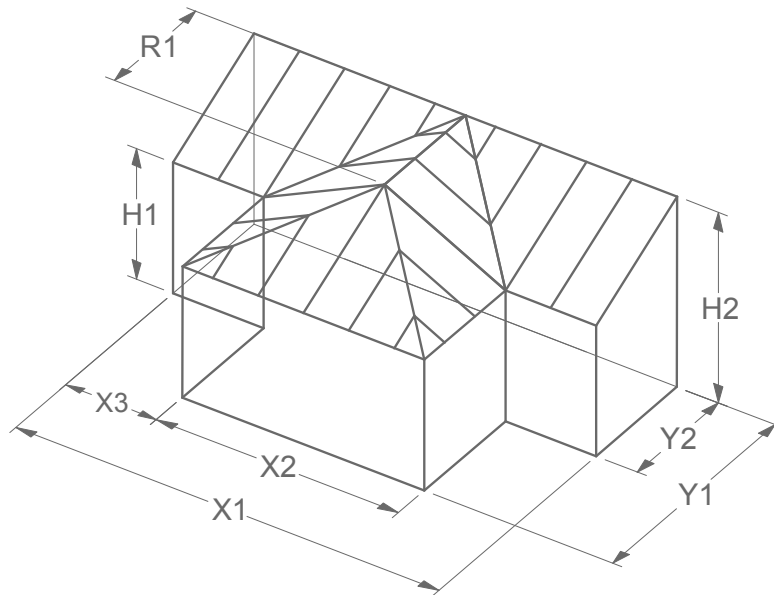
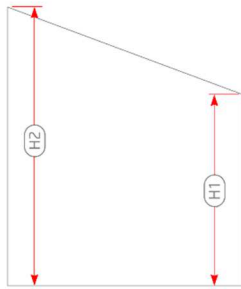


## Lean-To Mid Gable Hipped

Survey dimension sheet – all dimensions should be measured from inside. If possible measure in mm and give dimensions to the nearest 5mm. Watch the video to get tips on where to measure from.



	<p><b>Main Plan Dimensions</b></p> <p><i>The most important dimensions are the overall length and width of the space. Measure the width (X1) from fascia to fascia and the length (Y1) from the face of the house wall to the fascia.</i></p> <p>X1 = .....      Y1 = .....</p> <p><i>Y2 is the length of the lean-to section, measure Y2 from the house wall to the fascia.</i></p> <p><i>X2 is the width of the mid Gable section. Measure X2 from fascia to fascia.</i></p> <p><i>X3 is the width of the left lean-to section. Measure from inside corner to outside corner.</i></p> <p>Y2 = .....      X2 = .....</p> <p style="text-align: right;">X3 = .....</p>
--	--

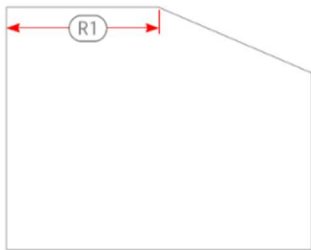


**Heights**

*In order to work out the full area of the roof we need the vertical dimension to the bottom and top of the roof. Measure H1 from the floor to the underside of the ridge and H2 from the floor to the top of the fascia.*

H1= ..... H2= .....

*If the heights of the sections are different please supply the additional heights in the additional dimensions section.*



**Ridge Length**

*Measure from the wall to the centre of the capping piece. If you have a light or fixture over the capping piece, measure from the middle of that and be sure to include an extra photo of this.*

R1= .....

*If the heights of the sections are different please supply the additional ridge lengths in the additional dimensions section.*

**Additional Dimensions:** *Use the final section to provide dimensions of any large box outs that may affect the design. If you want you can also include dimensions for opening windows lights or fans but we will also cover this later in the process if it is required.*